

NV-20B



Hydroplex Corporation  
230 West Gloria Switch Rd.  
Lafayette, LA 70507  
337-233-0626  
[www.hydroplexpumps.com](http://www.hydroplexpumps.com)

## **NV-20B SERIES BLOCK / BLEED VALVE**

- High flow capability
- Field reversible double seat
- Heavy duty construction
- Ceramic ball
- Inlet union flange easily rotatable in 90 degree increments

### **INSTALLATION**

The NV-20B series valve is designed to be used wherever a high pressure shut off, bleed, or bypass/dump valve is needed. The NV-20B valve also serves as a check valve, as it only allows flow in one direction.

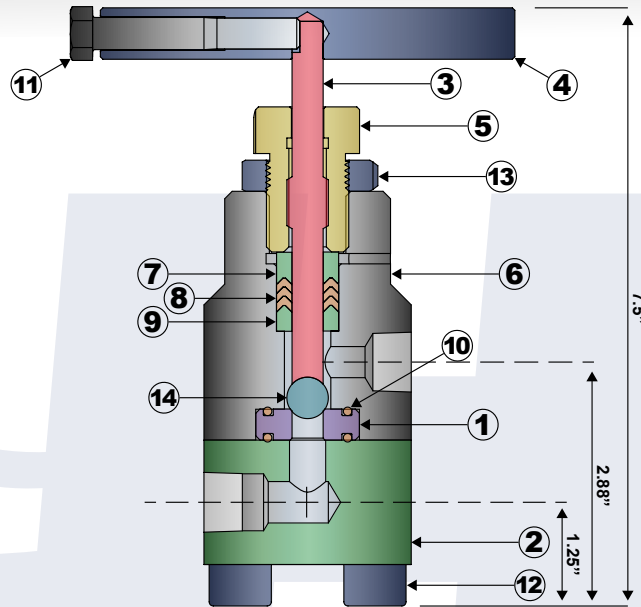
Always mount the NV-20B check valve downstream of the system relief valve and check valve. The NV-20B should always be mounted with the handle vertical.

### **CONNECTIONS**

1/2" FNPT - NV-20B - 20,000 PSI

Autoclave type 9/16" MP - NV-20B-A - 20,000 PSI

**NV-20B SERIES BLOCK / BLEED VALVE  
PARTS LIST**



<u>REF #</u>	<u>NAME &amp; DESCRIPTION</u>	<u>QTY</u>	<u>PART #</u>
1	Seat	1	0260*
2	Inlet Flange 1/2" NPTF	1	0349
2A	Autoclave type 9/16" MP	1	0349A
3	Stem	1	0051
4	Handle	1	0351
5	Packing Nut	1	0352
6	Body	1	0353
6A	Autoclave type 9/16" MP Body	1	0353A
7	Female Adapter	1	0347
8	Packing	3	0292*
9	Male Adapter	1	0272*
10	O-Rings	2	0282*
11	Hex Head Bolt	1	0408
12	Manifold Head Bolts (Socket Head)	4	0037
13	Lock Nut	3	0416
14	Ball	3	0281-C*

\*Recommended Spare Parts