

CV Check Valve



Instruction and Service Manual

Hydroplex Corporation
230 West Gloria Switch Rd.
Lafayette, LA 70507
337-233-0626
www.hydroplexpumps.com



CV SERIES CHECK VALVES WITH DIFFERENT INLET AND OUTLET NUTS (ALL CONNECTIONS FEMALE PORTS)

- Pressures up to 30,000 PSI
- Custom inlet and outlet porting
- Utilizes the HP-550 valve cartridge
- Easily repairable

Model Number Call Out: CV - 1 - 0

Where "1" is the inlet Connection Code, "0" is the outlet connection code.

<u>INLET CODE</u>		<u>OUTLET CODE</u>	
10	1" NPT	1	1" NPT
15	3/4" NPT	2	3/4" NPT
20	1/2" NPT	3	1/2" NPT
20S	9/16 Autoclav Slimline	4	9/16 Autoclav Slimline
20SA	3/4 Autoclav Slimline	5	3/4 Autoclav Slimline
30	9/16 Autoclav High Pressure	6	9/16 Autoclav High Pressure
		7	1/2" Extended for test units with (3) AHP 9/16" AE-HP monitor ports
		8	AHP9/16" AE-HP with (3) 1/4" AE- HP monitor ports for HTU Units

Example:

CV-20S-5

9/16 autoclav slimline inlet with 3/4 autoclave slimline outlet

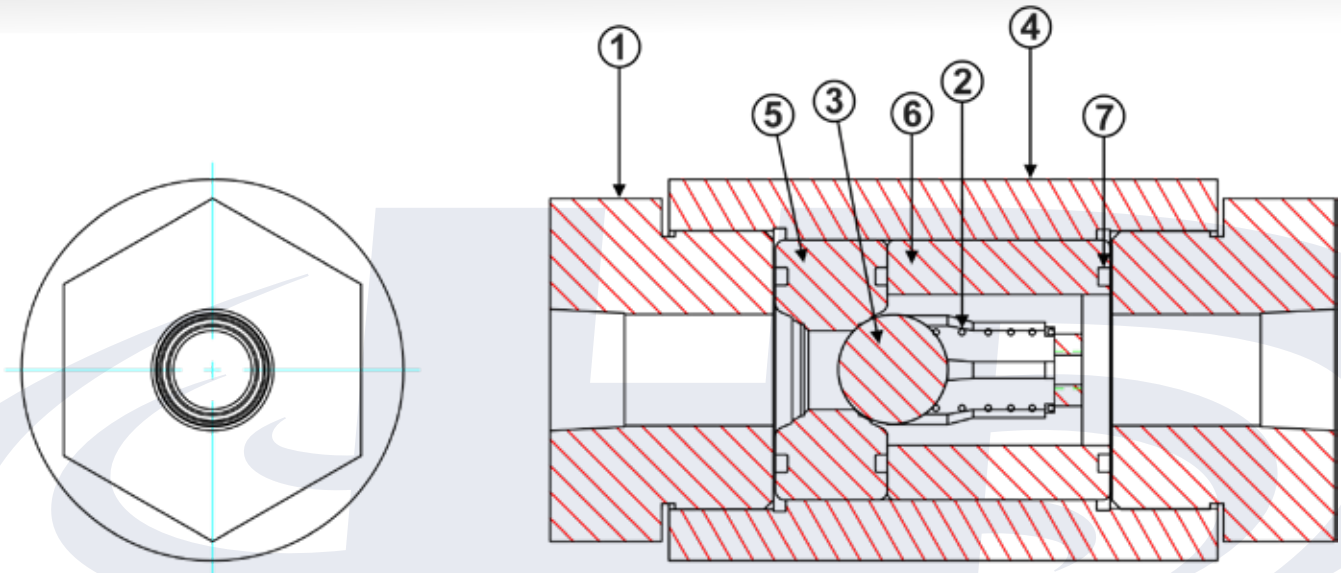
Note: For valves with the same nut on each end, use standard CV series numbers or skip the outlet choice above

Example:

CV-20S

9/16 Autoclav slimline for both inlet and outlet

CV SERIES CHECK VALVES PARTS LIST



<u>REF #</u>	<u>NAME & DESCRIPTION</u>	<u>QTY</u>	<u>PART #</u>
1	Hex nut: 1/2" NPT (CV20)	2	0365
	1/2" NPT (special for AGI Test Unit)	2	0365-S
	9/16" AE H.P. (for AGI Test Unit w/ 1/4" NPT monitor ports)	2	0365-SAHP
	3/4" NPT (CV-15)	2	0366
	1" NPT (CV-10)	2	0367
	9/16" AE Slimline MP (CV-20S)	2	0368
	3/4" AE Slimline MP (CV-20SA)	2	0581
	9/16" AE H.P. (CV-30)	2	0368A
	9/16" AE H.P. w/ 1/4" HP AE monitor ports (For AGI Test Unit)	2	0818
2	Spring	1	0358SA*
3	Valve Ball	1	0369*
4	Outer Barrel	1	0370
5	Check Valve Seat	1	0013C*
6	Check Valve Cage	1	0012C
7	Check Valve Cartridge O-ring	3	0025*

*Recommended Spare Parts