

Hydra CSX Series

Electric Twin Disc Dump Valve

an Environmentally Sound Solution

The Hydroplex electric dump valve is designed for very high open/close cycles in severe liquid applications with minimal maintenance. A unique SCADA accessible wear indicator will notify when maintenance is required. With the valve in place, simply exchange the cartridge in the field by removing six bolts. One person, one wrench.

The low torque design reduces demand on solar powered systems. The valve and actuation have ZERO emissions to atmosphere at rest and during operation.

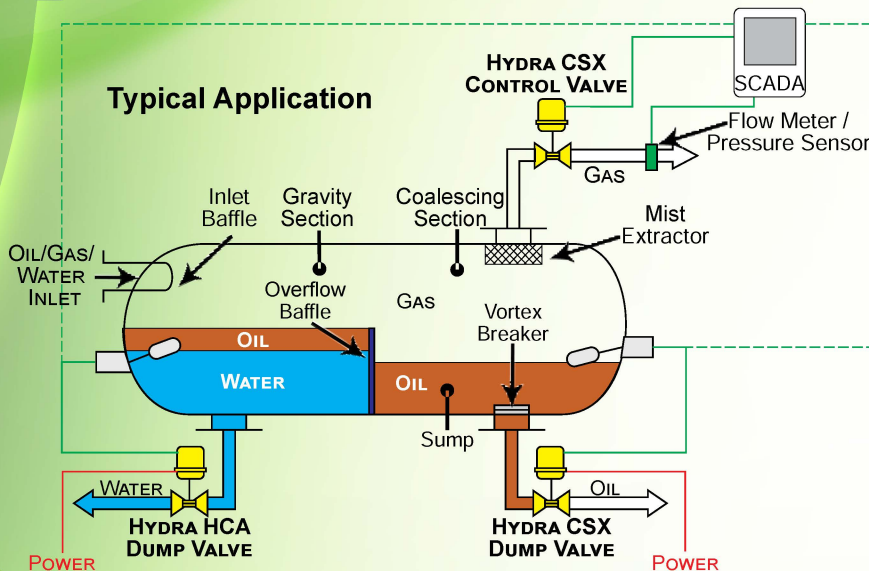


APPLICATIONS

Discharge of liquid from:

- vessels,
- separators,
- treaters,
- knockouts, and
- other similar liquid accumulators.

Typical Application



Electric Actuation

- Universal Power (AC/DC)
- Optional Battery Backup

TUNGSTEN CARBIDE TRIM OPTIONS

Orifices	Cv	64th inch Equiv. Dia.	Flow Rate
2 ea. - 1/8"	0.74	11.3	Low
2 ea. - 3/4"	22.31	62.3	High

Two trim sizes are available for discharge control.

- 3/4" holes for FAST discharge.
- 1/8" holes for more CONTROLLED discharge.

Hydroplex's patented in-valve multistage pressure drops can be added in applications with high solid (sand) content. This engineered solution will reduce mechanical erosion and increase the lifespan of the valve. (See item 4 below.)

ASSEMBLY DIMENSIONS

Size	Dimensions (in.)	Connection
1"	10.500	FNPT
2"	8.625	FNPT

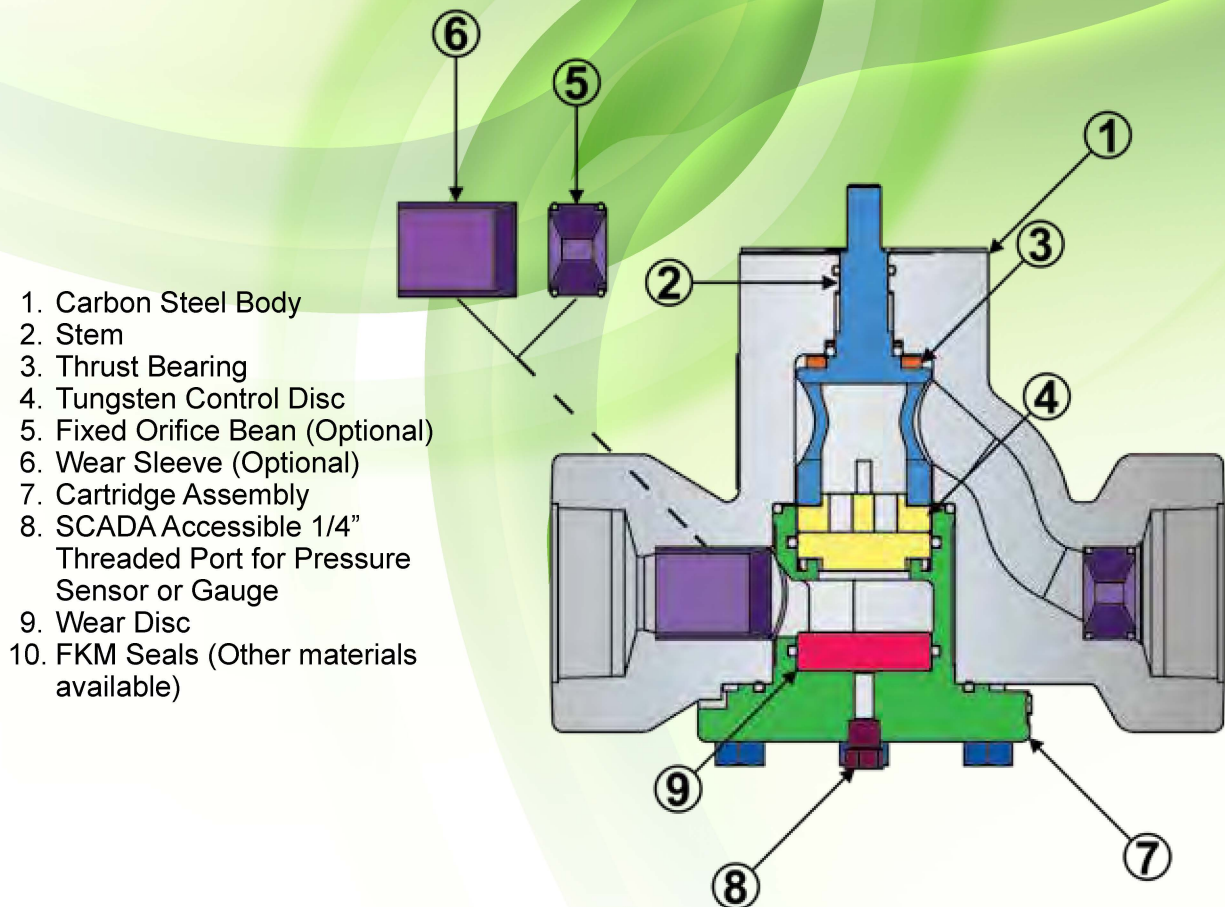
*Consult factory for other sizes and arrangements

TEMPERATURE RANGE

-20° to 400° F

WORKING PRESSURES

1" FNPT - 5000 psig
2" FNPT - 5000 psig



1. Carbon Steel Body
2. Stem
3. Thrust Bearing
4. Tungsten Control Disc
5. Fixed Orifice Bean (Optional)
6. Wear Sleeve (Optional)
7. Cartridge Assembly
8. SCADA Accessible 1/4" Threaded Port for Pressure Sensor or Gauge
9. Wear Disc
10. FKM Seals (Other materials available)

HYDRA CHOKE SERIES



HCI



HCY



HCA

230 W. Gloria Switch Rd. | Lafayette, LA 70507

337-233-0626

www.hydroplexpumps.com